

**DIPLOMA EXAMINATION IN ENGINEERING/TECHNOLOGY/MANGEMENT/
COMMERCIAL PRACTICE - NOVEMBER 2021**

ENGINEERING GRAPHICS

(Note: 1. Missing data if any suitably assumed
2. Sketches to be accompanied)

(Maximum Marks:75)

(Time: 2¼ hours)

PART - A

- Marks**
- I. Answer *any three* questions in one or two sentences. Each question carries 2 marks.
1. Discuss the difference between chain and parallel dimensioning.
 2. Write the dimensional values of A4, A3, A2 and A1 drawing sheets in mm.
 3. Define eccentricity.
 4. Draw the symbols representing first and third angle projection.
 5. Name the co-ordinate systems used in Auto CAD (3 x 2 = 6)

PART - B

- II Answer *any four* questions from the following. Each question carries 11 marks.
1. Redraw the given fig.1 and dimension it as per BIS.
 2. Inscribe a regular pentagon within a circle of diameter 50 mm.
 3. Construct an ellipse by rectangular method. The major and minor axes given are 150mm and 90 mm respectively.
 4. Draw the projection of following co-ordinate points. Take distance between projectors as 30mm.
a) P (30,20) b) Q (-35, 25) c) R (-40,-35) d) S(45,-25)
 5. The length of top view of a line parallel to V.P and incline at 45 degree to H.P is 50mm. One end of the line is 12mm above H.P and 25mm in front of V.P. Draw the projection of the line and find its true length.
 6. Draw an involute of a circle of diameter 50 mm.
 7. Draw the development of a funnel shown in fig.2 (4 x 11 = 44)

PART – C

(Answer **any one** question from the following. Each question carries 25 marks.)

- III The isometric view of a shaft support is shown in fig.3. Draw front view in the direction of F, top view and left side view. (25)
- IV The isometric view of a lever is shown in fig.4. Draw its sectional front view (section through A-A) and top view. (25)
- V The orthographic views of I-block is shown in fig.5. Draw the isometric view of the object. (25)

.....

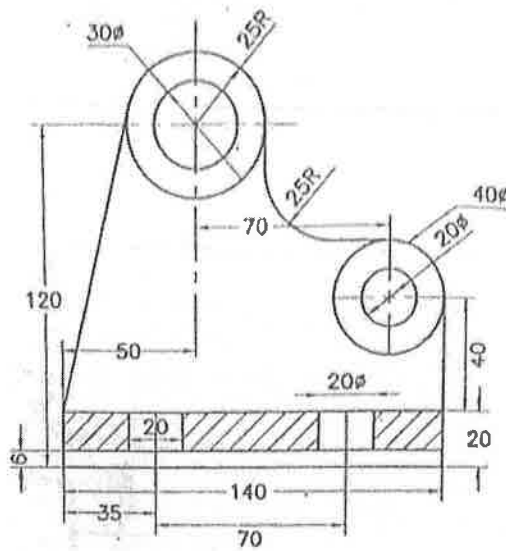


Figure - 1

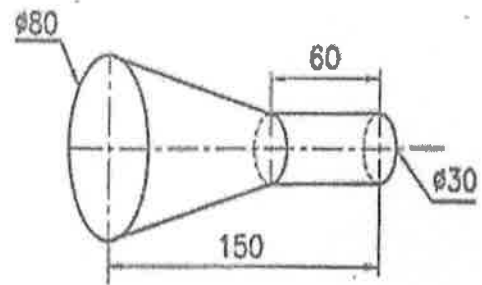


Figure - 2

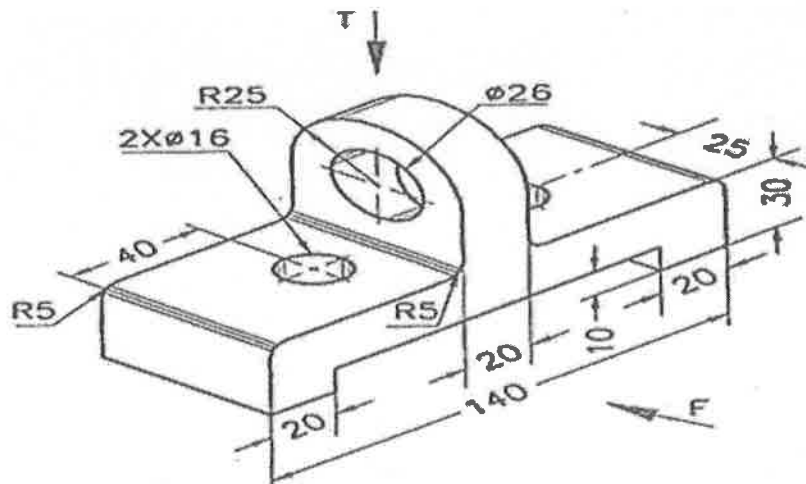


Figure - 3

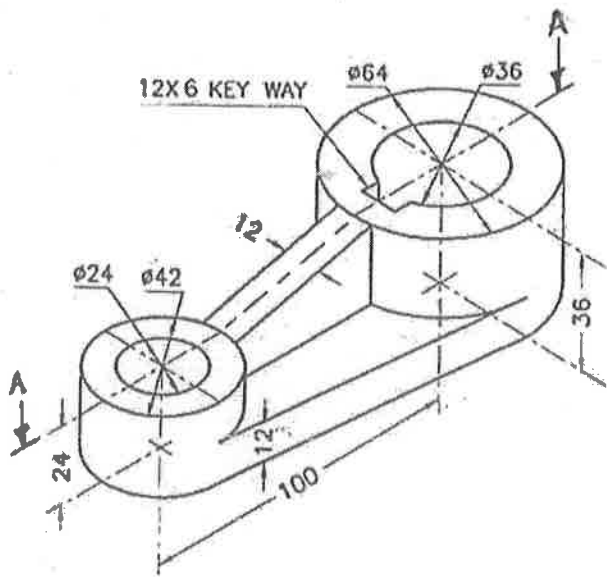


Figure - 4

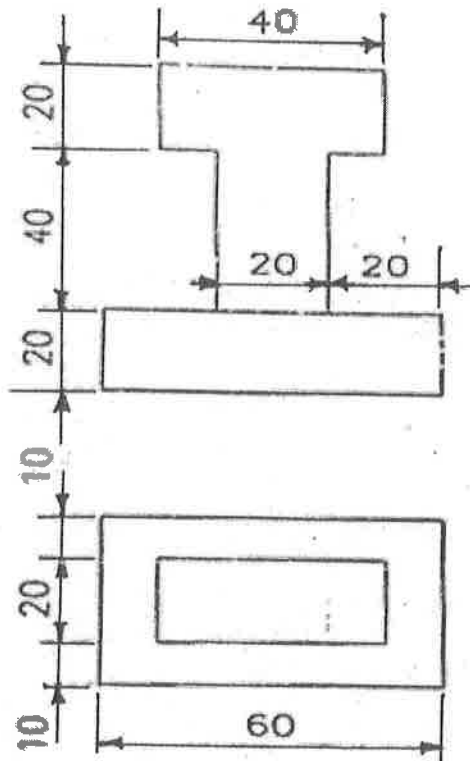


Figure - 5 續

.....